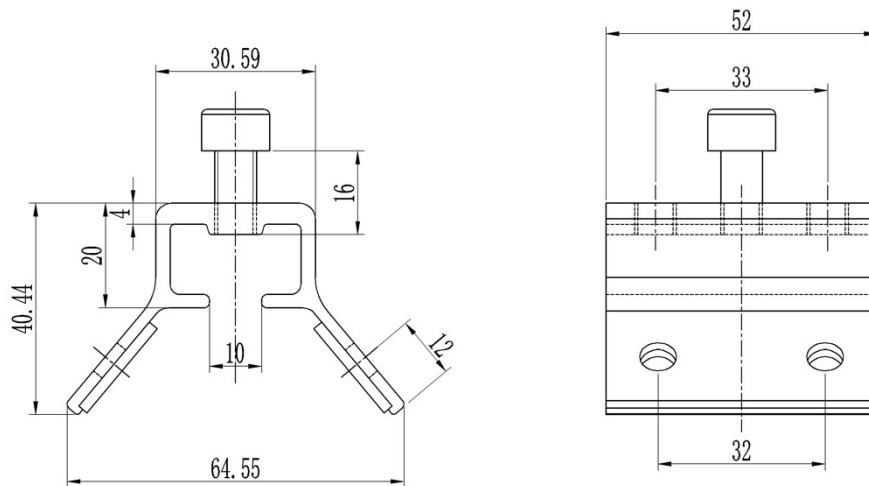


Product Specification

SLTPB



Name	SunLockTrapezoidal Bracket
SunLock Code	SLTPB
Weight	0.112 kg
BOM	SL-H53-0052(AL6005-T5)×1 SL-K38-0052(EPDM)×1 M8x16Hexagon socket head screws(A2-70) ×1 St6.3*25 Hexagon tapping and self-drilling screws(SUS410) ×4
Packing	225PCS
Carton size	232*160*260