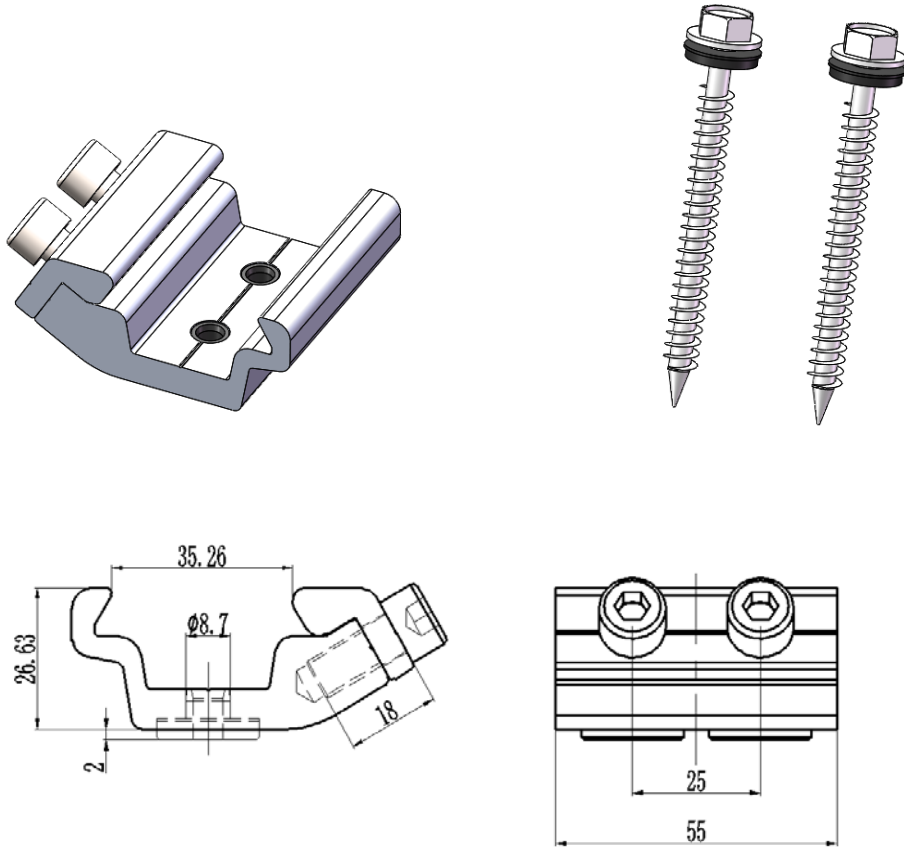


Product Specification

SLCF3



<b>Name</b>	SunLock Channel Foot 2
<b>SunLock Code</b>	SLCF3
<b>Weight</b>	0.178 kg
<b>BOM</b>	Commercial Mounting Channel Bracket 1 Commercial Mounting Channel Bracket 1 M8x18 Socket head cap screw SunLock EDPM Grommets ST6.3x70 CLASS 3 SCREW
<b>Packing</b>	80 PCS
<b>Carton size</b>	232*160*260