

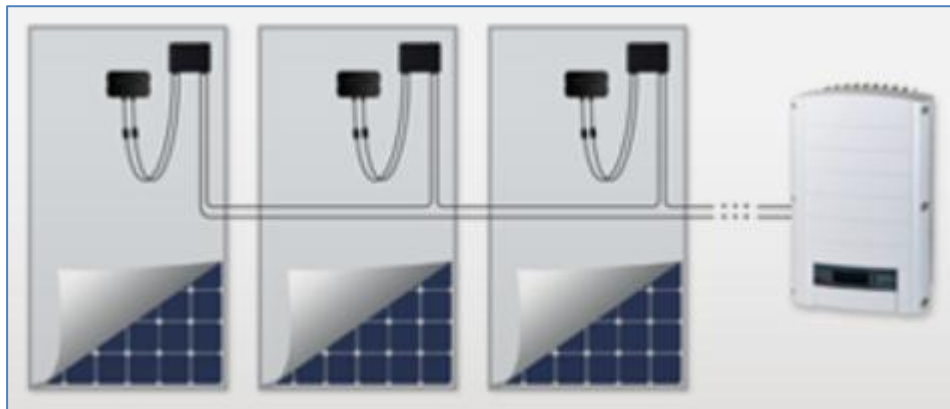
 Tech. Bulletin	Rev. Nr.	Micro-inverter Mount	created	JM
	1.0		checked	JL
			valid from	29.08.2012

INTRODUCTION

Micro-inverters or power optimisers can be mounted to the SunLock rail using the SunLock micro-inverter mount (SLMM01).

GUIDE TO USE

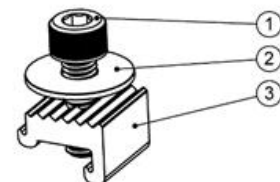
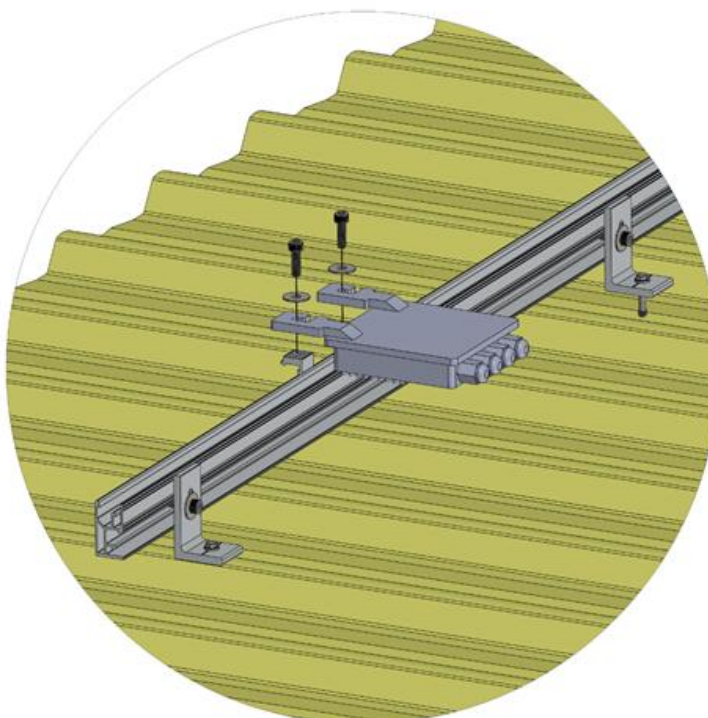
Once the SunLock railing has been installed lay each inverter / optimiser on the rail ensuring that the unit won't clash with the underside of the panel or the junction box. The inverter / optimiser should be offset from the junction box to provide sufficient room to connect up the required cables.



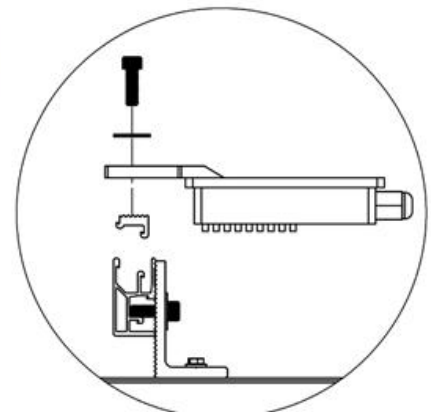
Slide each mounting bolt assembly into the slot of the inverter / optimiser ensuring that the bolt seats properly.

The flat washer should spread the load uniformly over the mounting slot and prevent the screw from pulling through. Slide the key insert into the rail and fasten.

Two mounting bolt assemblies (SLMM01) are generally required per inverter / optimiser.



1. M8 x 25 cap screw
2. M8 flat washer
3. M8 key insert



TECHNICAL & SUPPLY CHAIN INFORMATION

Sales code	SLMM01
Material	Aluminium 6106-T6, with stainless steel fasteners.
Australian Standard Certification	N/A

FURTHER INFORMATION

For further information contact Apollo Energy on 1300 855 484 or sunlock@apolloenergy.com.au.